

Submittal Data: SC-18FM-HP230	18,000 BTU/H Universal Floor/Ceiling Unit
--------------------------------------	--

Job Name	Location	Date
----------	----------	------

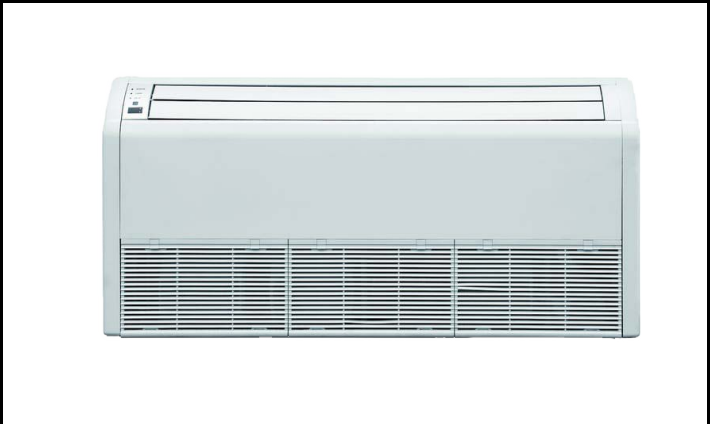
Purchaser	Engineer
-----------	----------

Submitted To	For	<input type="checkbox"/> Reference	<input type="checkbox"/> Approval	<input type="checkbox"/> Construction
--------------	-----	------------------------------------	-----------------------------------	---------------------------------------

Unit Designation	Schedule No.
------------------	--------------

GENERAL FEATURES

- Floor Stand or Ceiling Mount
- Quiet Operation -Multi-Speed Fan
- 4-way Discharge Air Flow
- Swing Louvers
- Remote Control Lockout
- Wired and Wireless Remote Controllers



System Ratings

Cooling*	
Rated Capacity	17,065 BTU/H
Heating*	
Rated Capacity	18,772 BTU/H
Sound Level (Hi/Lo)**	
Cooling	45/40 dbA
Heating	45/40 dbA
Air Flow (max)	
Indoor Fan	559 CFM

Physical Specifications

Unit Dimensions (LxHxD)	48.0 x 27.5 x 9.0 -in 1220 x 700 x 225-mm
Weight (Net/Shipping)	88/110 LBS
Drain Size (OD)	0.67-in 17-mm

Electrical Ratings

Fan Motor	
Output Power	110 W
FLA	0.56 A
Power Supply	
Normal Operational Voltage	208/230 V, 1 Phase, 60 Hz
Voltage Range	187 - 253 V
MCA	1.0 A
Interconnecting Cable Wire Size	14-4 AWG

Refrigerant Piping Data

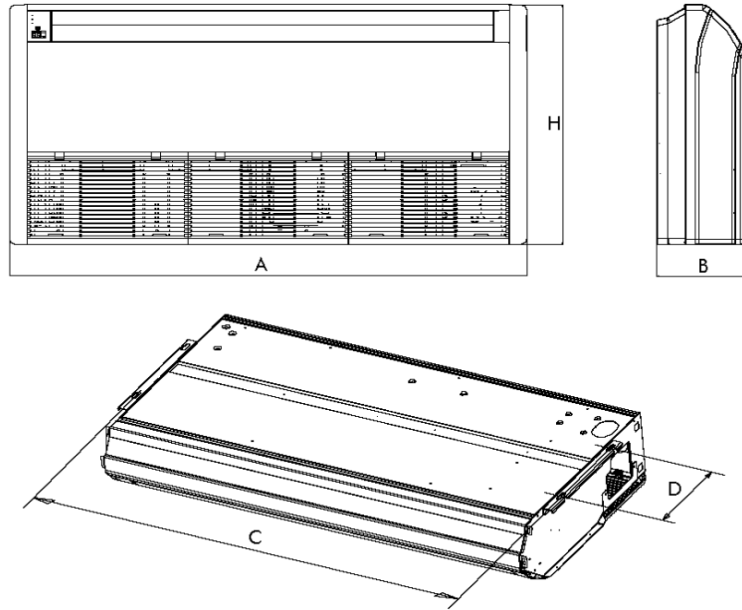
Refrigerant Type	R410A
Gas Pipe Size (OD)	1/2-in
Liquid Pipe Size (OD)	1/4-in
Connection Method	Flared

* Test conditions are based on AHRI 210/240.
 **Sound Power ratings are per AHRI 270 and AHRI 350



18,000 BTUH MODEL

Model #SC-18FM-HP230 18,000 BTUH 230V



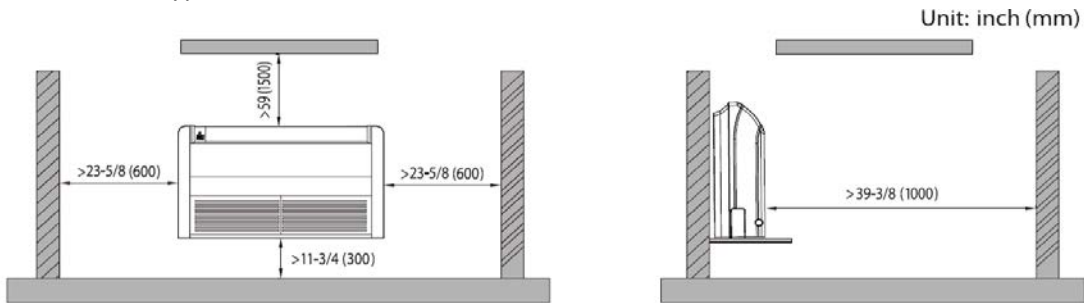
Dimensions

	A	B	C	D	H	H
(mm)	1220	225	1158	280	700	700
(inches)	48.0	8.9	45.6	11.0	27.6	27.6

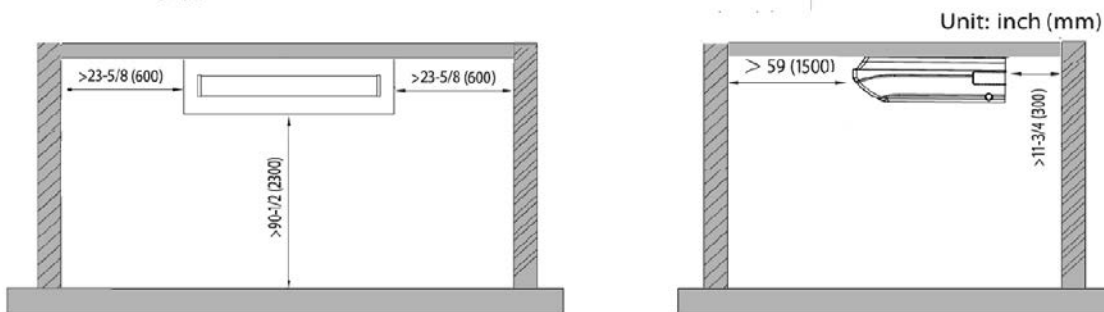
Note: Size refrigerant lines based on evaporator port sizes.

MINIMUM CLEARANCE

◆ Wall type



◆ Ceiling type



Notes:

1. Recommended Interconnecting Cable Type Stranded Bare Copper Conductors THHN 600V Unshielded Wire
2. Power wiring cable size must comply with applicable national and local codes.
3. Test conditions are based on AHRI 210/240.

Specifications are subject to change without notice. Manufacturer reserves the right to discontinue or modify specifications or designs without notice or without incurring obligations. All rights reserved.