

Submittal Data: SC-24CC-HP230 24,000 BTU/H Ceiling Cassette

Job Name	Location	Date
Purchaser	Engineer	
Submitted To	For	<input type="checkbox"/> Reference <input type="checkbox"/> Approval <input type="checkbox"/> Construction
Unit Designation	Schedule No.	

GENERAL FEATURES

- Quiet Operation -Multi-Speed Fan
- 4-way Discharge Air
- Internal Condensate Drain Pump
- Swing Louver
- Both Wireless & Wired Remote Controllers
- Power Failure Recovery
- Sentry Condensate Overflow Protection
- Decorative Grille (Included) SC-CC-GRILLE-24K


System Ratings

Cooling*	
Rated Capacity	22,800 BTU/H
Heating*	
Rated Capacity	27,400 BTU/H
Sound Pressure (Hi/Lo)**	
Cooling	49/45 dbA
Heating	49/45 dbA
Air Flow (min/max)	
Indoor Fan	500/694 CFM

Units Specification & Data

Wired Controller	XK19
Air Filter	Netted polypropylene
Condensate Drain Lift (Height)	12-in 305-mm
Drain Size (OD)	1.2-in 31-mm

Electrical Ratings

Fan Motor	
Output Power	50 W
FLA	0.4 A
Power Supply	
Normal Operational Voltage	208/230 V, 1 Phase, 60 Hz
Voltage Range	187 - 253 V
MCA	1.0 A
Interconnecting Cable Wire Size	14-4 AWG

Refrigerant Piping Data

Refrigerant Type	R410A
Gas Pipe Size (OD)	5/8-in
Liquid Pipe Size (OD)	3/8-in
Connection Method	Flared
* Test conditions are based on AHRI 210/240.	
**Sound Power ratings are per AHRI 270 and AHRI 350	

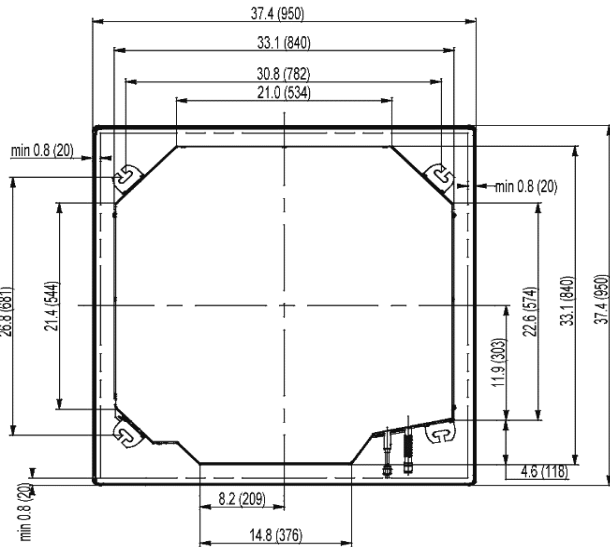
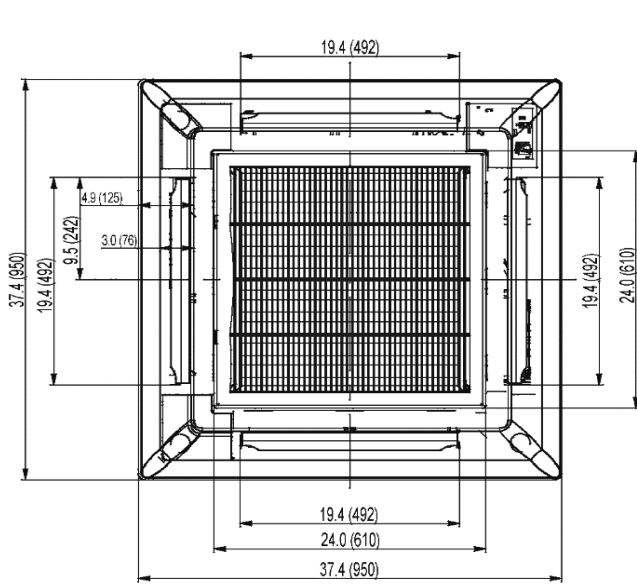
24,000 BTUH MODEL

Model # SC-24CC-HP230 24,000 BTUH 230V

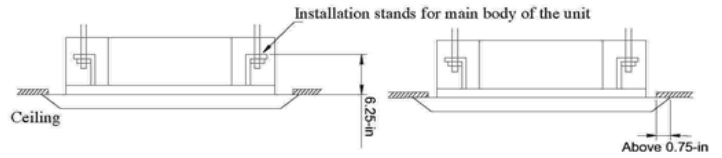
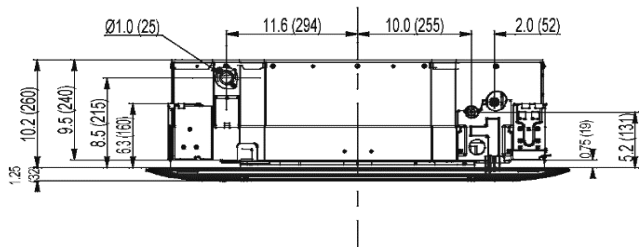
Decorative Grille (Included)

SC-CC-GRILLE-24K

Units: inch (mm)

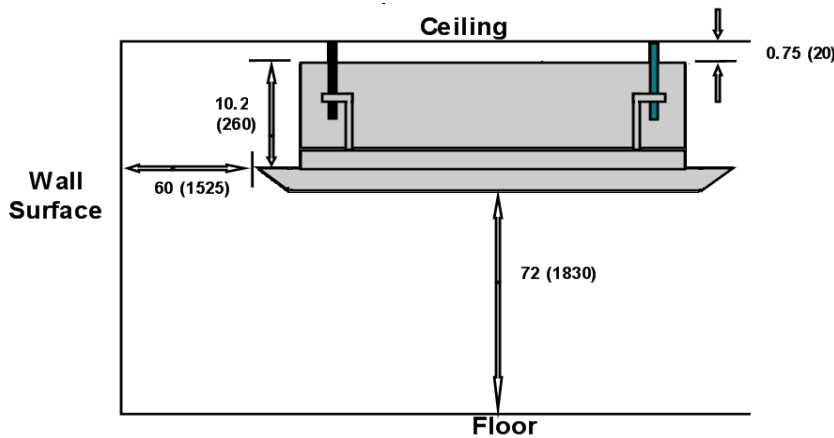


Note: Size refrigerant lines based on evaporator port sizes.



Weight (Net/Gross) 62/78 lbs

MINIMUM CLEARANCES



Notes:

1. Recommended Interconnecting Cable Type Stranded Bare Copper Conductors THHN 600V Unshielded Wire
2. Power wiring cable size must comply with applicable national and local codes.
3. Test conditions are based on AHRI 210/240.

Specifications are subject to change without notice. Manufacturer reserves the right to discontinue or modify specifications or designs without notice or without incurring obligations. All rights reserved.