

**Submittal Data: SC-24FM-HP230** 24,000 BTU/H Universal Floor/Ceiling Unit

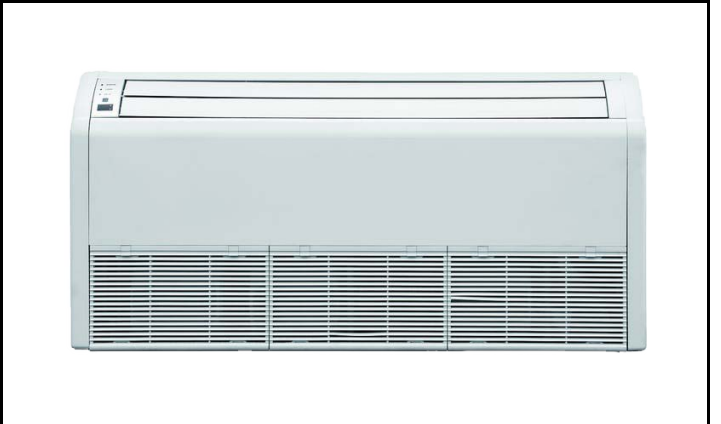
Job Name Location Date

Purchaser Engineer

Submitted To For  Reference  Approval  Construction

Unit Designation Schedule No.

**GENERAL FEATURES**  
 -Floor Stand or Ceiling Mount  
 -Quiet Operation -Multi-Speed Fan  
 -4-way Discharge Air Flow  
 -Swing Louvers  
 -Remote Control Lockout  
 -Wired and Wireless Remote Controllers



**System Ratings**

**Physical Specifications**

|                              |              |
|------------------------------|--------------|
| <b>Cooling*</b>              |              |
| Rated Capacity               | 22,867 BTU/H |
| <b>Heating*</b>              |              |
| Rated Capacity               | 27,304 BTU/H |
| <b>Sound Level (Hi/Lo)**</b> |              |
| Cooling                      | 48/44 dbA    |
| Heating                      | 48/44 dbA    |
| <b>Air Flow (max)</b>        |              |
| Indoor Fan                   | 736 CFM      |

|                         |  |
|-------------------------|--|
| Unit Dimensions (LxHxD) | 48.0 x 27.5 x 9.0 -in<br>1220 x 700 x 225-mm |
| Weight (Net/Shipping)   | 100/120 LBS                                  |
| Drain Size (OD)         | 0.67-in<br>17-mm                             |

**Electrical Ratings**

**Refrigerant Piping Data**

|                                 |                           |
|---------------------------------|---------------------------|
| <b>Fan Motor</b>                |                           |
| Output Power                    | 145 W                     |
| FLA                             | 0.63 A                    |
| <b>Power Supply</b>             |                           |
| Normal Operational Voltage      | 208/230 V, 1 Phase, 60 Hz |
| Voltage Range                   | 187 - 253 V               |
| MCA                             | 1.0 A                     |
| Interconnecting Cable Wire Size | 14-4 AWG                  |

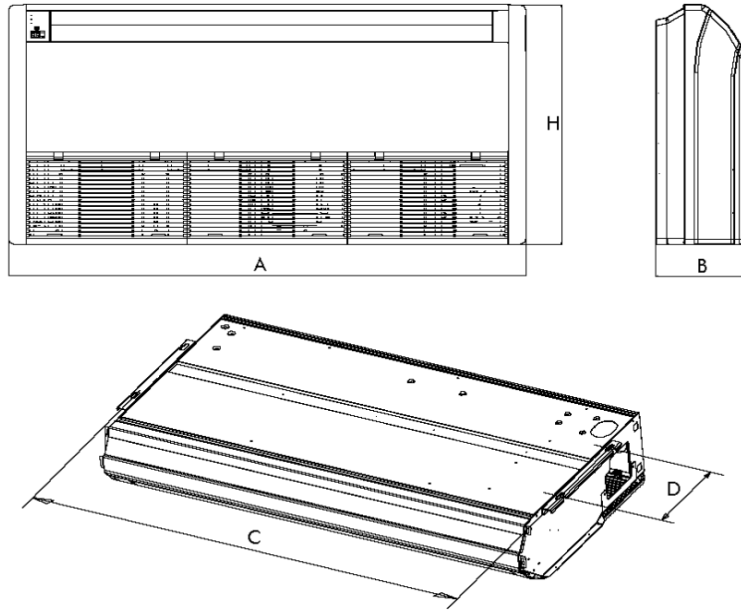
|                       |        |
|-----------------------|--------|
| Refrigerant Type      | R410A  |
| Gas Pipe Size (OD)    | 5/8-in |
| Liquid Pipe Size (OD) | 3/8-in |
| Connection Method     | Flared |

\* Test conditions are based on AHRI 210/240.  
 \*\*Sound Power ratings are per AHRI 270 and AHRI 350



**24,000 BTUH MODEL**

Model #SC-24FM-HP230 24,000 BTUH 230V

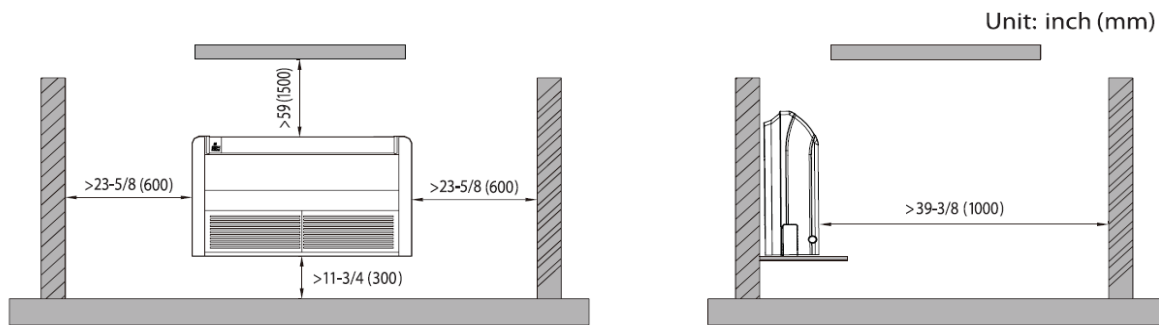


Dimensions

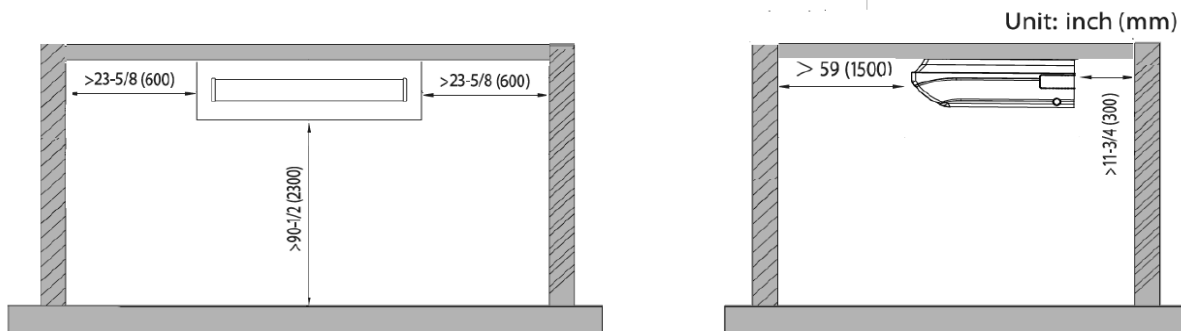
|          | A    | B   | C    | D    | H    | H    |
|----------|------|-----|------|------|------|------|
| (mm)     | 1220 | 225 | 1158 | 280  | 700  | 700  |
| (inches) | 48.0 | 8.9 | 45.6 | 11.0 | 27.6 | 27.6 |

Note: Size refrigerant lines based on evaporator port sizes.

**MINIMUM CLEARANCE**



◆ Ceiling type



Notes:

1. Recommended Interconnecting Cable Type Stranded Bare Copper Conductors THHN 600V Unshielded Wire
2. Power wiring cable size must comply with applicable national and local codes.
3. Test conditions are based on AHRI 210/240.

Specifications are subject to change without notice. Manufacturer reserves the right to discontinue or modify specifications or designs without notice or without incurring obligations. All rights reserved.